

040-0600
TriMount Push
Button Handle



The 040-0600 TriMount Push Button Handle was specifically designed for off-highway vehicle applications that require a surface mounted exterior push button handle with 120mm or 163mm mounting pattern. It retrofits with most European push button handles and offers robust construction, ergonomic function and styling for a very cost effective price.

FEATURES/BENEFITS:

- Retrofits with most European push button handles
- Universal mounting is available in three different mounting configurations: (2) bolt 120mm (4.72"), (3) bolt 120mm (4.72") and (2) bolt 163mm (6.42") mounting
- Frictionless push button seal
- Readily adaptable to a variety of door thickness with an adjustable bolt and nut
- Full gloved hand clearance
- 15.88mm (.625") button travel
- Easy to operate (ergonomics)

Global Locations:

TriMark Corporation
500 Bailey Avenue
P.O. Box 350
New Hampton, Iowa 50659
United States
Tel: 641-394-3188
Fax: 641-394-2392
1-800-447-0343
www.trimarkcorp.com

TriMark Europe
Cedar Court
Walker road
Bardon Hill
Coalville LE67 1TU
United Kingdom
Tel: +44(0)1530 512460
Fax: +44(0)1530 512461
www.trimarkeu.com

TriMark (Xuzhou)
Building A5 Jingwu Road
Xuzhou Economic
Development Zone
Xuzhou, Jiangsu
221004 PR China
Tel: +86 516 8773 0018
Fax: +86 516 8773 0058
www.trimarkcn.com



TriMark. Interactive. Product. Selector



TriMark



TriMark Corporation

AVAILABLE:

- Can be keyed alike with most single and reversible key systems or non-locking configurations
- Locked rigid or free-floating versions
- With bezels or gasket sets to facilitate mounting and provide resistance to water and dirt infiltration (sold separately)

MATERIAL:

- Handle: glass reinforced nylon
- Brass threaded inserts

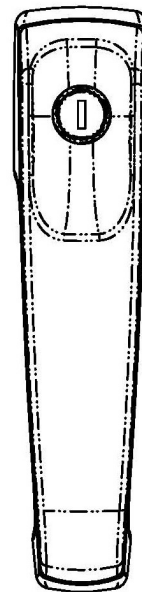
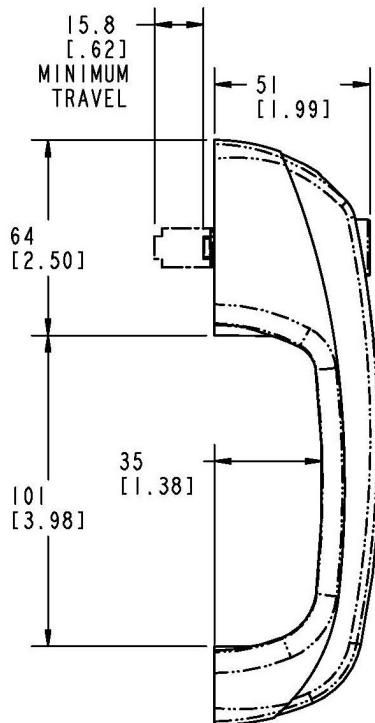
INSTALLATION:

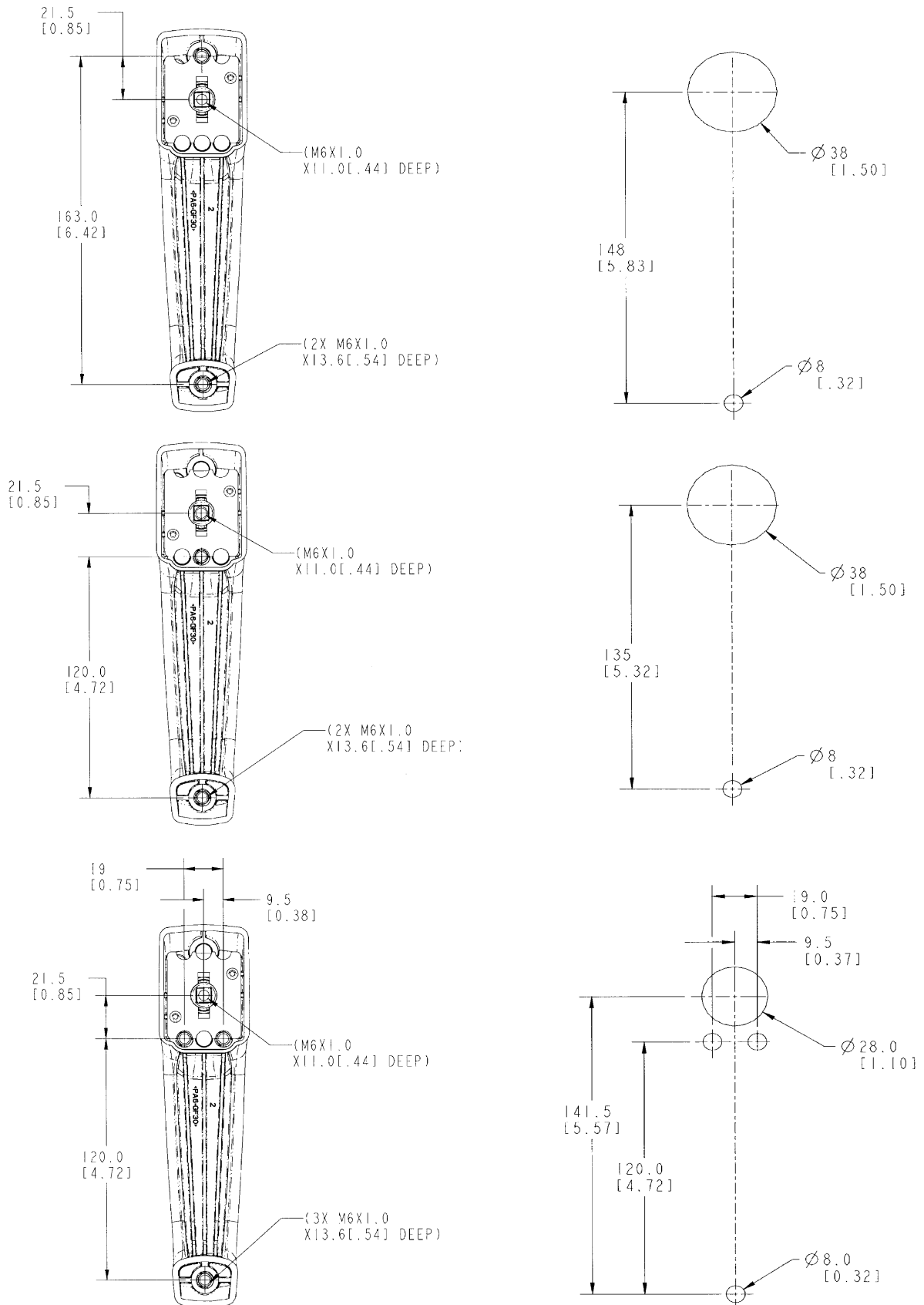
- Installed with (2 or 3) M6 x1.0 bolts (not included)
- Mounts against glass with only two holes (see recommended hole pattern on last page)
- Recommended mounting fastener torque to be 5.6-6.7 N-m (50-59 lbf-in)

CAUTION: Product does not meet the locking requirements for FMVSS 206 (ECE R11).

Individual part dimensions are for reference only. Refer to individual part drawings for complete dimensions, specifications, and installation procedures. Engineering assistance and application drawings are available.

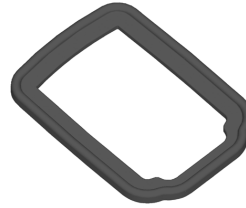
For more information visit
www.trimarkcorp.com







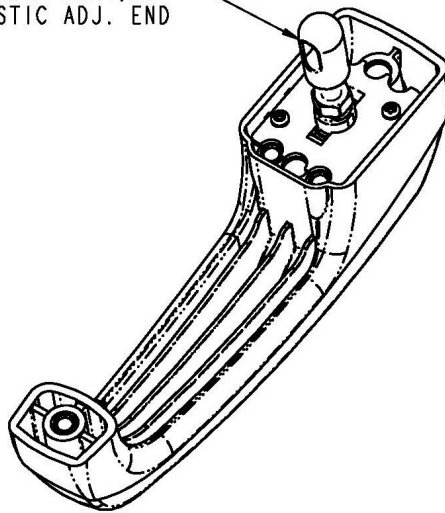
Bezels



Gaskets



ADJUSTABLE BOLT, NUT
AND PLASTIC ADJ. END



ROTATING CAM

